



# FastCAM<sup>®</sup> Drawing Editor

# FastCAM<sup>®</sup> Drawing Editor

CREATE PROFILED PARTS.

IMPORT, VIEW, EDIT AND PRINT CAD FILES



FastCAM<sup>®</sup> Drawing Editor is a simple drawing, editing and verification of geometry program to create precise plate profiled parts that can be used in quotation and production.

Easy and intelligent CAD interface allows you to work with multiple file formats including CAM, DXF, DWG, NC1 (DSTV) & SVG.

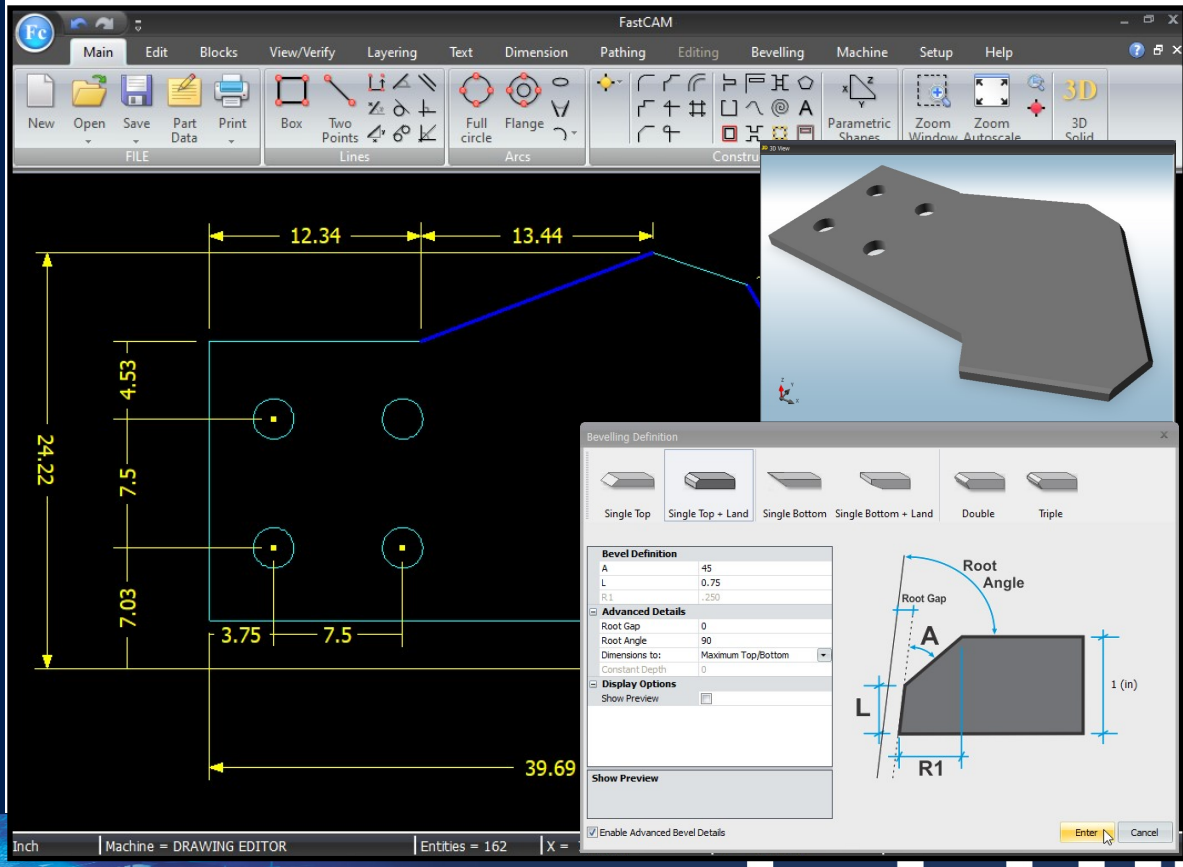
Extract part geometry from PDF files saves the need to do manual take-off for quotation.

For drawing, FastCAM<sup>®</sup> Drawing Editor is much easier than CAD but still with all the relevant functionality such as lines, arcs, points, block, copy, flip, array and stretch.

Parts created with the FastCAM<sup>®</sup> Drawing Editor are totally NC independent which means that engineers can also apply production data to parts including bevel specifications.

## HIGHLIGHTS:

- PRODUCES VECTOR BASED GEOMETRY FOR PLASMA, OXY, LASER AND WATERJET CNC CUTTING EQUIPMENT
- IMPORT CAM, DXF, DWG & NC1 (DSTV) CAD FILES
- BUILT IN PARAMETRIC SHAPE LIBRARY
- EXTRACT PART GEOMETRY FROM PDF'S
- AUTOMATICALLY FIXES MESSY FILES BY REMOVING IRRELEVANT GEOMETRY
- ABILITY TO ADD FUNCTIONS AS A SHORT CUT OR RIGHT CLICK CONTEXT MENU
- WORKS IN INCH OR METRIC
- MULTI LANGUAGE SUPPORT
- EARNING WEB BASED TRAINING INCLUDED
- ONLINE PROGRAM UPDATES
- PHONE & EMAIL SUPPORT



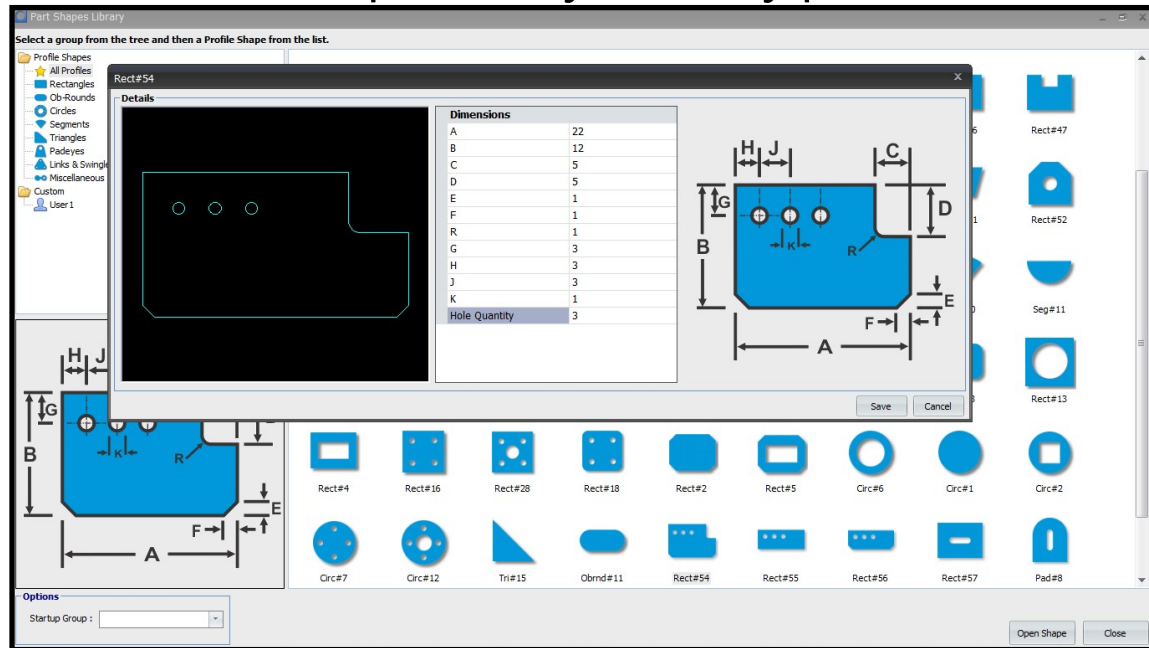
[www.fastcam.com](http://www.fastcam.com)

### Makes easy work of large, complex CAD files

Many CAD files contain an enormous amount of irrelevant data for NC or have gaps, overlapping lines or poorly constructed shapes. In particular files containing decorative art, fonts, graphics, scanned images, free form drawings and complex components with many penetrations and complex contours are especially time consuming.

The FastCAM<sup>®</sup> Drawing Editor's inbuilt tools work together to check, clean and validate these troublesome files.

### Parametric shape library for easy part creation



### FASTCAM<sup>®</sup> OFFICES

#### USA / World

Cumberland Metro Office Park  
5519 N. Cumberland Ave. Suite 1008  
Chicago, IL, 60656, USA  
fastcam@fastcam.com  
Phone: 312 715 1535  
Fax: 312 715 1536

#### Asia Pacific

96 Canterbury Road,  
Melbourne, VIC, 3206, Australia  
fastcam@fastcam.com.au  
Phone: 61 3 9699 9899  
Fax: 61 3 9699 7501

#### China

No.5, Building 19/498 Guoshoujing Rd  
Pudong Software Park,  
Shanghai 201203, China  
fastcam@fastcam.cn  
Phone: 8621 5080 3069  
Fax: 8621 5080 3071

#### PDF Part Extraction to CAD

Extracts part geometry from PDFs. A huge time saver for when PDFs only are made available at the quotation stage.

#### CAD CLEAN

Clean drawings by removing excess, unwanted and duplicate entities

#### CAD COMPRESS

Compress entities together to reduce entity count and drawing size

#### EXTRACT PART

Extract part geometry and save as a separate drawing.

#### EXPLODE DRAWING

Extracts individual parts and saves them as separate files.

#### ISOLATE PART

Remove all other parts from a drawing except the selected part